



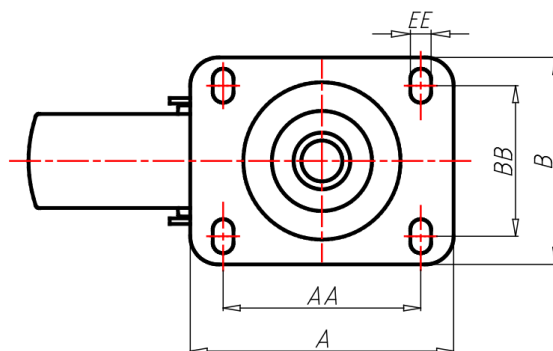
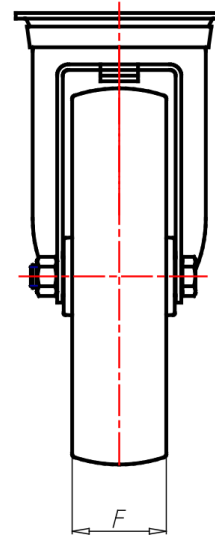
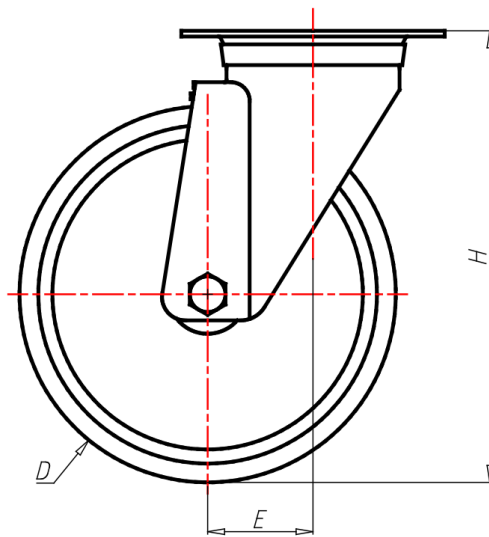
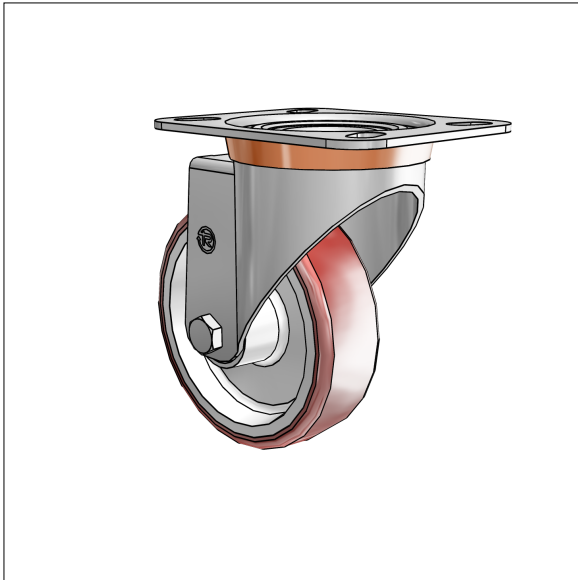
Injection polyurethane wheels, 55 Shore D polyamide
6 centre, swivel top plate bracket type NL
SRP/NL

PDF DATASHEET

© 1992-2016 CADENAS GmbH

Last Modification (geometry): 24/05/2016 08:10

Datasheet creation date: 24/12/2016 12:02





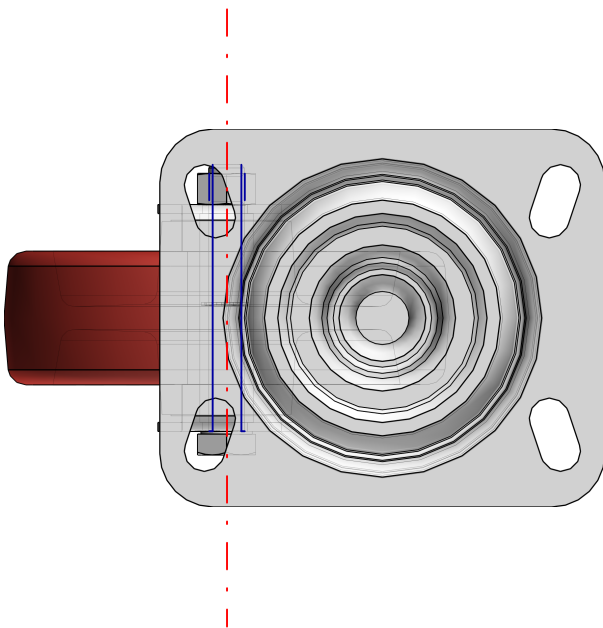
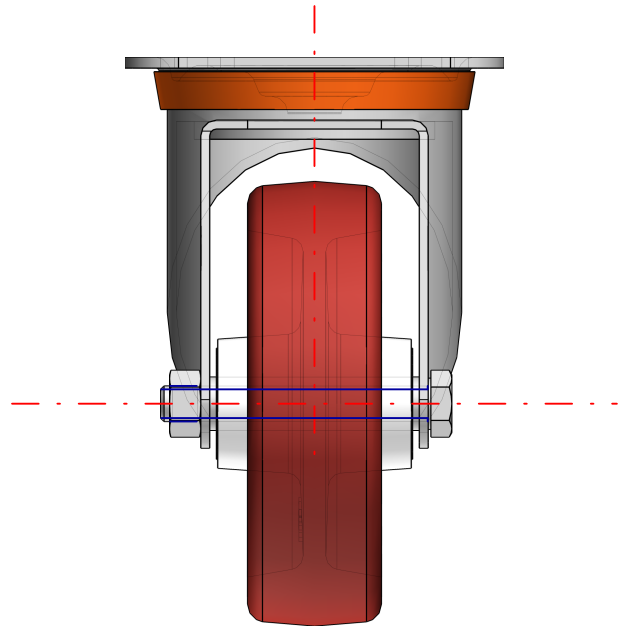
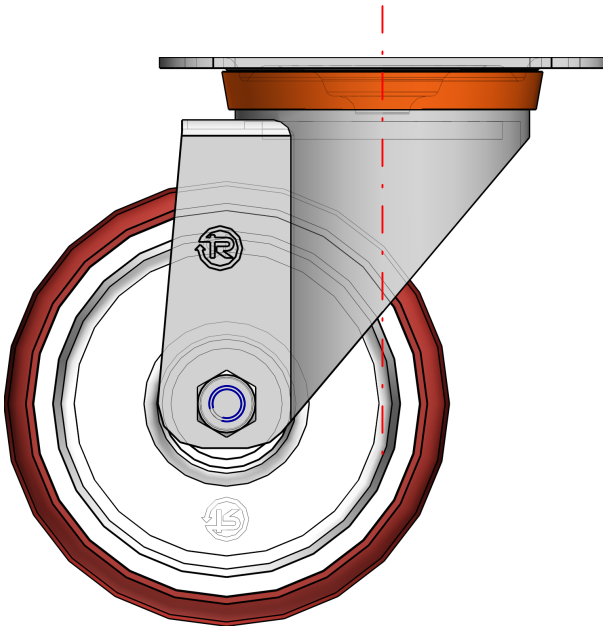
Injection polyurethane wheels, 55 Shore D polyamide
6 centre, swivel top plate bracket type NL
SRP/NL

PDF DATASHEET

© 1992-2016 CADENAS GmbH

Last Modification (geometry): 24/05/2016 08:10

Datasheet creation date: 24/12/2016 12:02





Injection polyurethane wheels, 55 Shore D polyamide
6 centre, swivel top plate bracket type NL
SRP/NL

PDF DATASHEET

© 1992-2016 CADENAS GmbH

Last Modification (geometry): 24/05/2016 08:10

Datasheet creation date: 24/12/2016 12:02

COD (Code)	604202
WT (Wheel hub type)	CB
D (Wheel diameter)	100
F (Wheel width / mm)	30
H (Overall height / mm)	128
AXB (Top plate outer dimensions / mm)	100x85
AAXBB (Hole spacing / mm)	80x60
EE (Hole width / mm)	9
E (Offset / mm)	35
LC (Load capacity / daN)	170
TG (Threadguards)	No
W (Weight / kg)	0.74
INFO (Technical description)	Technical description



Injection polyurethane wheels, 55 Shore D polyamide
6 centre, swivel top plate bracket type NL
SRP/NL

PDF DATASHEET

© 1992-2016 CADENAS GmbH

Last Modification (geometry): 24/05/2016 08:10

Datasheet creation date: 24/12/2016 12:02

Bill of material

N°	Description	Amount
1	604202	1